



## Vic Stool

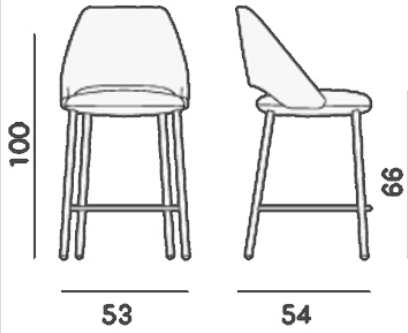
**VOYAGER**

DESIGN: PATRICK NORQUET

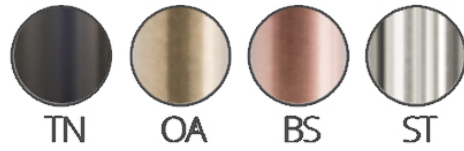
The elegance and the minimal outline of Vic stool draws inspiration from classic mid-century chairs. Seat and backrest with inner structure in steel, padded with polyurethane foam and upholstered in leather or fabric. The soft seat with polyurethane foam padding is supported by elastic belts, for absolute comfort. The legs are in tubular steel joined seamlessly with the carter, which can be upholstered to match the seat. Seat height 660 mm.

Prices, availability, lead times, dimensions and product information listed are subject to change without notice. This document was created on 23/Sep/2020 at 03:27 PM.

Art. 659

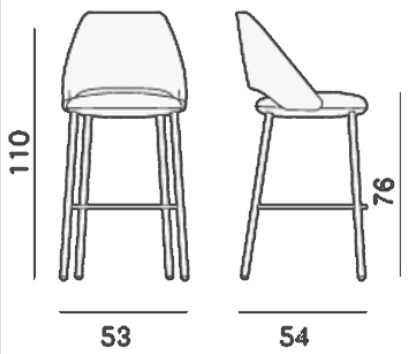


### FRAME FINISHES



POWDER COATED FRAME (VIEW LEGEND FINISHES)

Art. 658



FABRICS (VIEW LEGEND FINISHES)